

Mach-C **solutions**



Offline Washer

MACHINE INFORMATION

Machine type: Offline washing system

SPECIFICATIONS

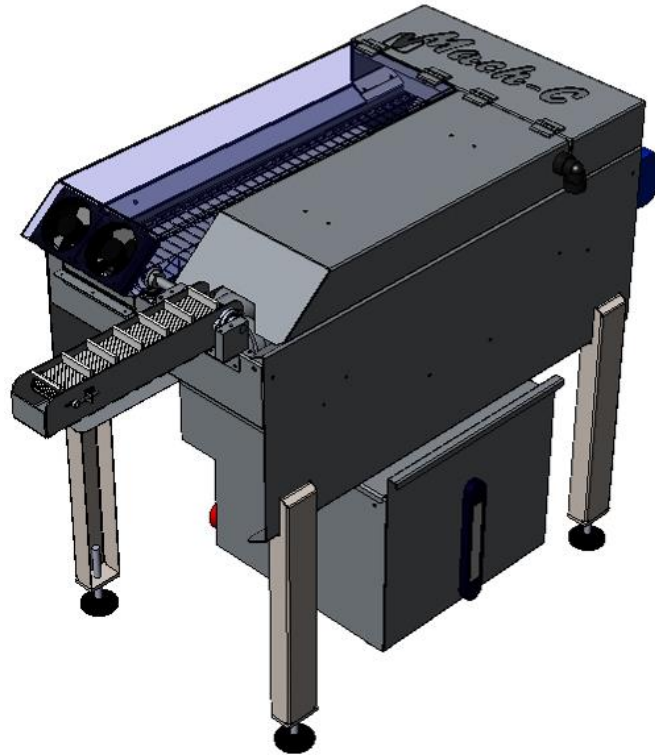
Maximum capacity : 4.500 products/hour
Weight : ± 150 kg
Dimensions : 1250 (l) x 850 (w) x 1100 (h) mm.
Sound level : <80 dB

Electrical data:

Connection voltage : 400V 3 phase + N + PE 50Hz
Alternative voltage : 230V 3 phase + PE 50 Hz
Connection : 5x4 mm²
Alternative connection : 4x4 mm²
Maximum voltage deviation : -/+ 10%
Pre-fuse : 25 Amp, slow blowing
Ground-fault circuit interrupter: A minimum leakage current of 30 mAmp
Power : 6,5 kW
Electrical protection : IP55

MACHINE DESCRIPTION

offline washing system



Use:

The offline washing system is used to for the offline wet cleaning of products.

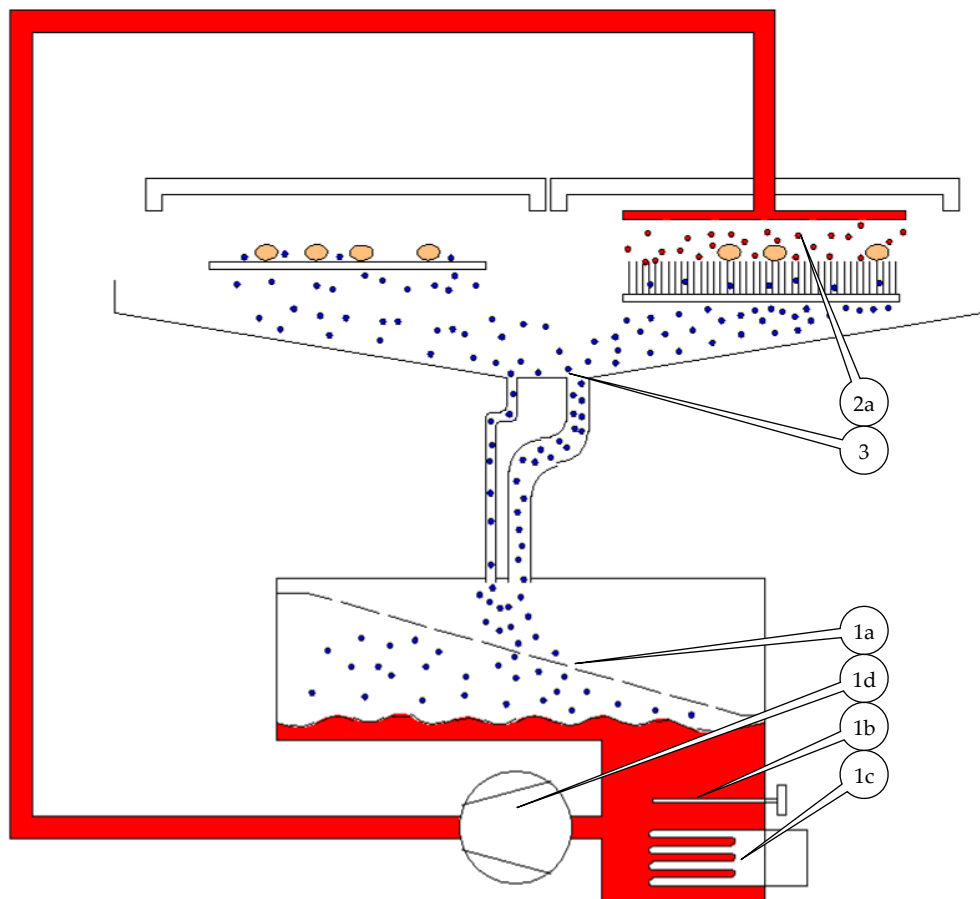
Process:

The products should be manually placed on the infeed conveyor which transfers them to the transport system. The transport system consists of spiral brushes, a small square wire mesh conveyor and a blow off wire mesh conveyor. Above the spiral brushes, the washing unit cleans the products with warm water. The water is supplied in a closed circuit by the water unit. The spiral brushes transport the products towards the wire mesh conveyors. Here the transport direction of the products changes 180°. And will be transported towards the egg belt again.

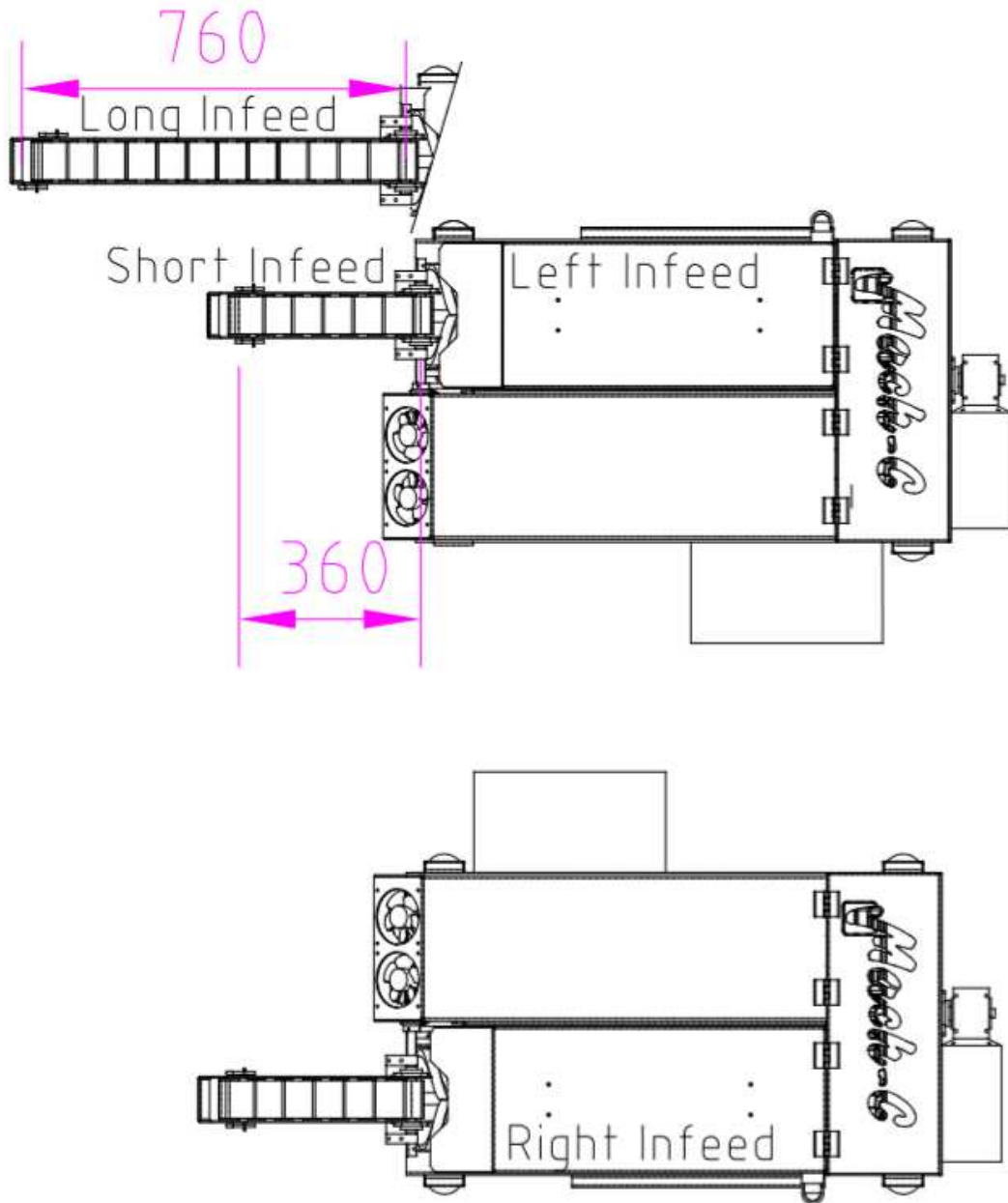
CONSTRUCTION:

The water unit consists of the following parts:

1. Water tank:
 - a. Filter.
 - b. Temperature sensor.
 - c. Heater.
 - d. Pump
2. Washing unit cover:
 - a. Nozzles.
3. Water collecting bin



LAYOUT.

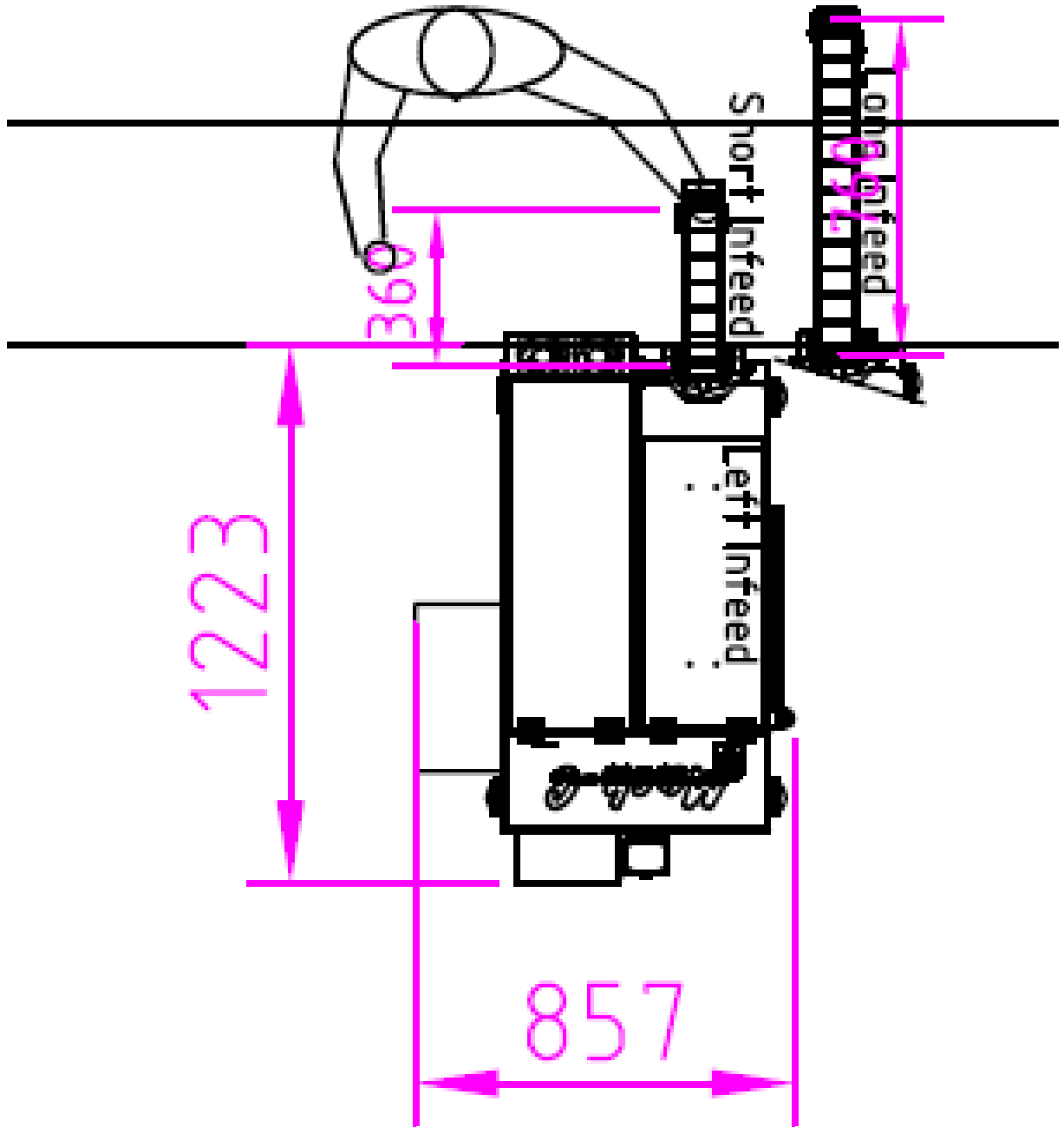


Layout Offline:

Infeed Left or Right in.

Infeed Long or Short.

LAYOUT INSTALLED NEXT TO THE CONVEYOR:



PICTURES OF THE WASHER



FOR MORE INFO:

Mach-C B.V.
Lievelderweg 90
7131 MG LICHTENVOORDE
THE NETHERLANDS

Phone:

+31(0)85 4011135

E mail address:

info@mach-c.nl

Website:

www.mach-c.nl