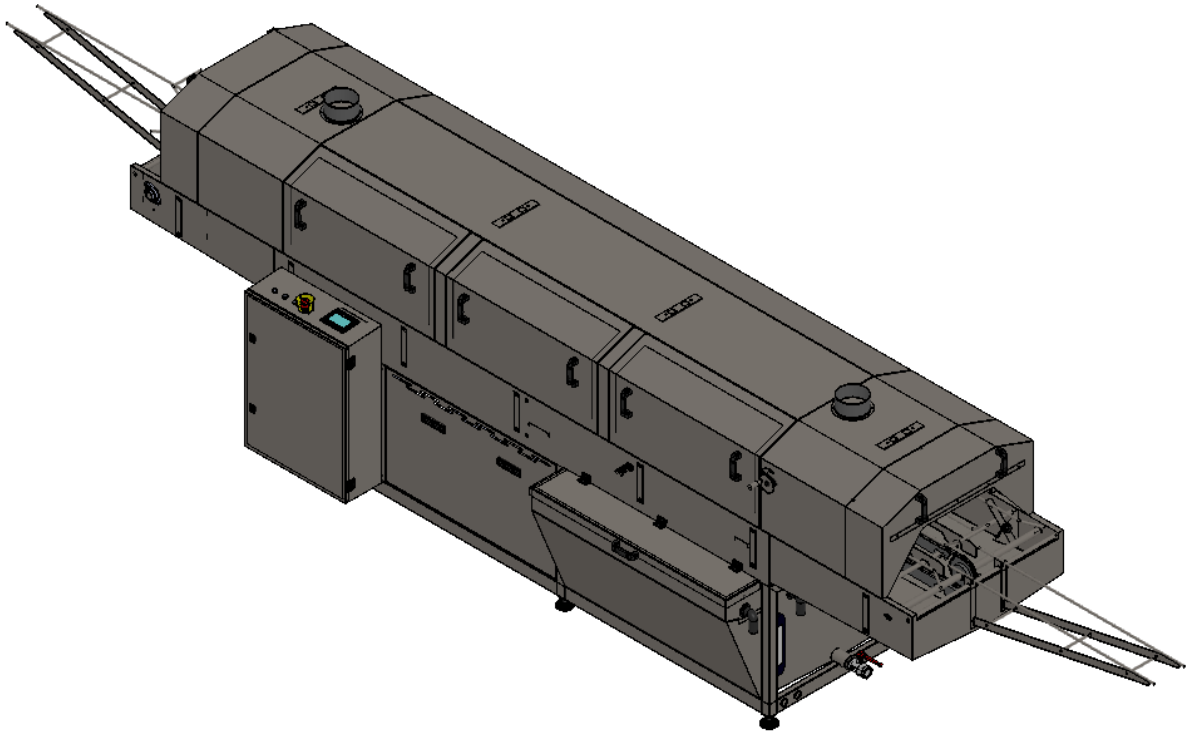


# **Mach-C** **solutions**



***Basket Washer Solution***

## Basket Washer (with Options) Hatchery Baskets

Machine type: Basket washing system  
 Manual: Revision 01 (February 2020)

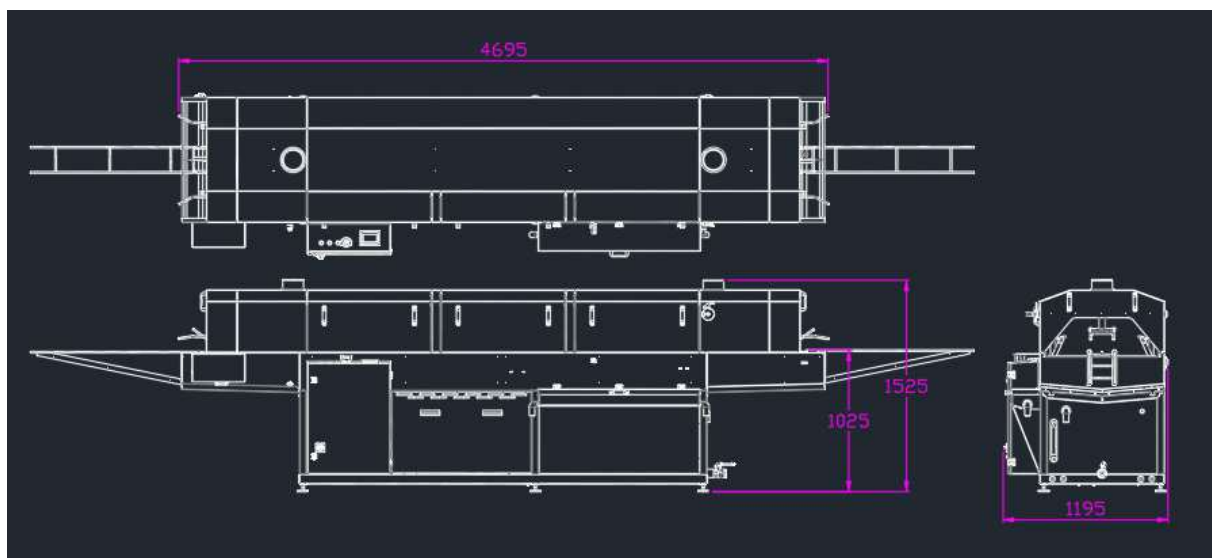
### SPECIFICATIONS

Maximum capacity : 250 Baskets/hour, depending on contamination of the Basket.  
 Weight : ± 900 kg  
 Dimensions(total) : 6650 (l) x 1525 (w) x 1525 (h) mm.  
 Sound level : <88 dB

#### Electrical data:

Connection voltage : 400V 3 phase + N + PE  
 50Hz Connection : 5x6 mm<sup>2</sup>  
 Maximum voltage deviation : -/+ 10%  
 Pre-fuse : 63 Amp, slow blowing  
 Ground-fault circuit interrupter : A minimum leakage current of 30  
 mAmp Power : 52 kW with electrical heating.  
 : 16 KW with Heat exchanger.  
 Electrical protection : IP55  
 Water tank : 325L  
 Water pressure : up to 6 bar, main wash and up to 80 Bar at the HP section.

### *Dimensions*



## MACHINE DESCRIPTION

The machine description gives information about the complete system.

For more detailed information of this system see the **Unit description** in this chapter.

## BASKET WASHING SYSTEM

### **Use:**

The Basket washing system is used for the wet cleaning of Baskets.

### **Process:**

Via an upstream transport conveyor or manual, baskets enter the washing system on the transport system. Above the transport system, the washing unit cleans the baskets with warm water. At the exit the baskets are transferred to a (optional) Basket turner, after that baskets can be stacked by a stacker then if baskets go to a double trolley one stack is been pushed over. With the transfer the 2 stacks with baskets are transferred to the trolley.

Washer: The water is supplied and removed by the water unit in a closed circuit. The water temperature and the cleaning time are programmable.

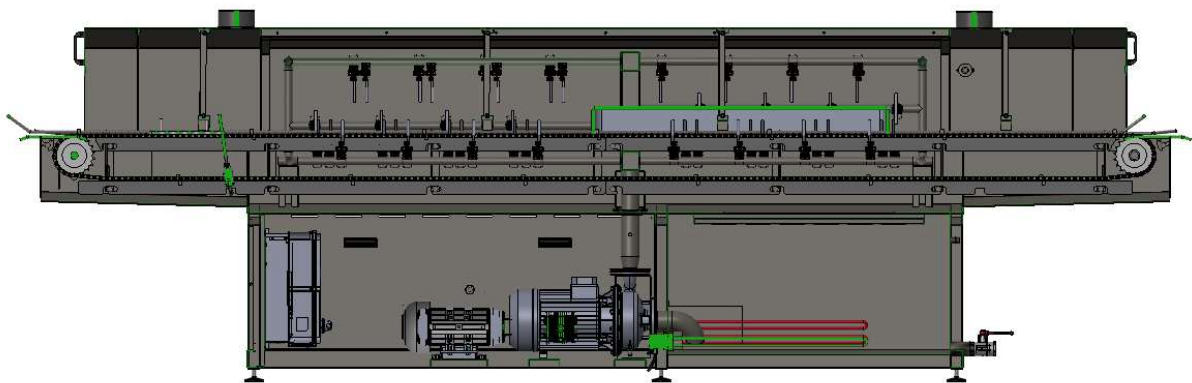
### **Safety:**

The security of the system is created through a balance between safety and workability: An optimal workable situation is created for the operating personnel but safety was kept in mind.

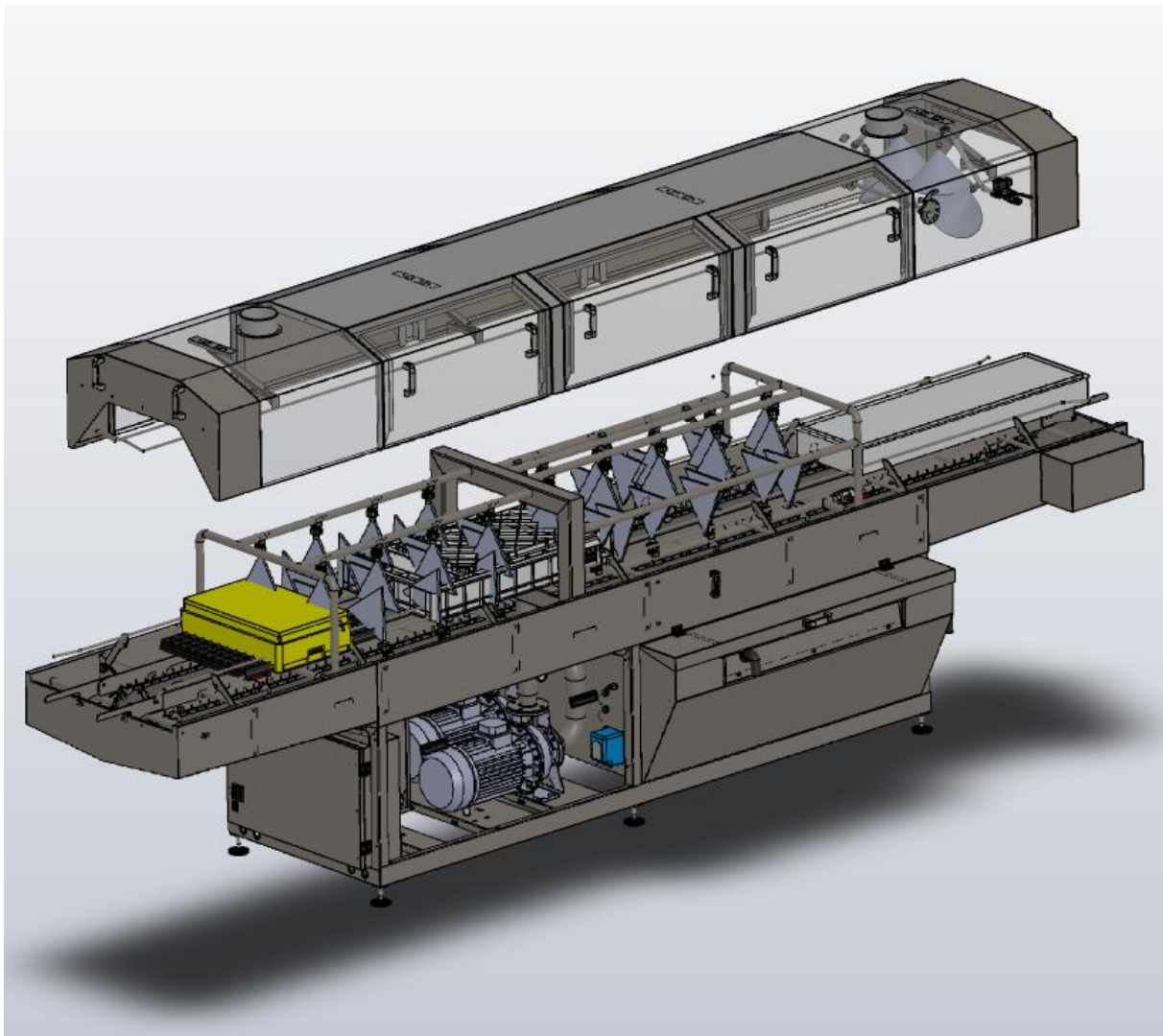
Perilous movements of the system are mostly protected with protective covers, but there are exceptions. On a lot of places in the system it is possible to incur injuries.

Read the safety instruction of the units in the chapter unit descriptions.

## Intersection of the washer:



Exploded view washer:





For more info:

Mach-C B.V.  
Lievelderweg 90  
7131 MG LICHTENVOORDE  
THE NETHERLANDS

Phone:	+31(0)85 4011135
E mail address:	<a href="mailto:info@mach-c.nl">info@mach-c.nl</a>
Website:	<a href="http://www.mach-c.nl">www.mach-c.nl</a>